



# Cycle-Works

## Josta Pergola Shelter



### Overview

The stylish Pergola shelter is a popular design across Europe. Because of its ingenious design the Pergola shelter can be scaled up to meet your exacting requirements. The smallest unit holds 8 bicycles but this can easily be altered to cover a larger area. The elegant design lends its self to traditional architecture but the strong lines look right at home in a modern development.

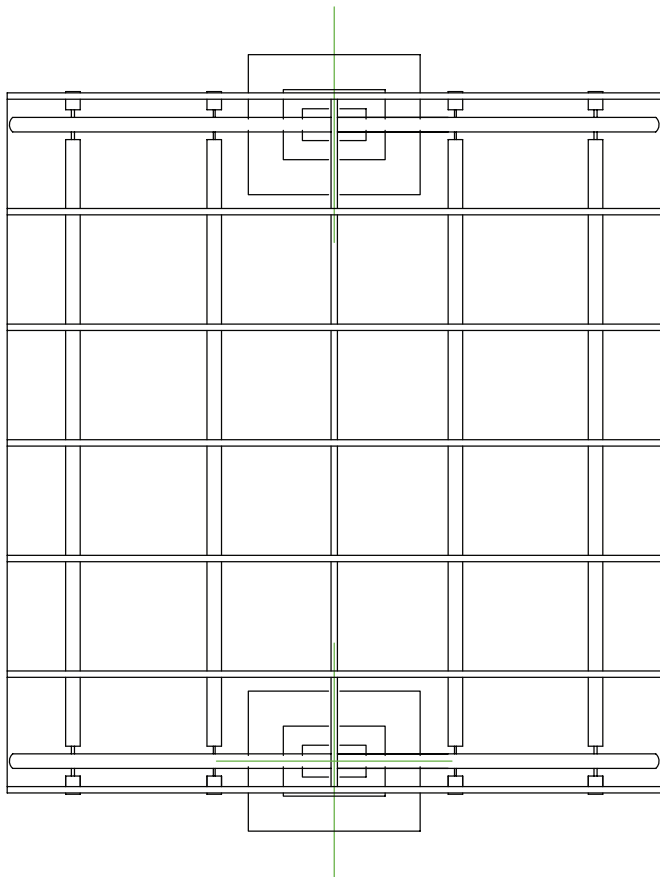
### Features & Benefits

- Modern and curved design.
- Galvanised and powder coated mild steel construction.
- Available with a translucent roof.
- Rows can be as long as required.
- Low target for graffiti as it has a high roof and no large area.
- Macrolon transparent cladding.
- Can be installed with lighting and CCTV.
- Width can be as wide as required.



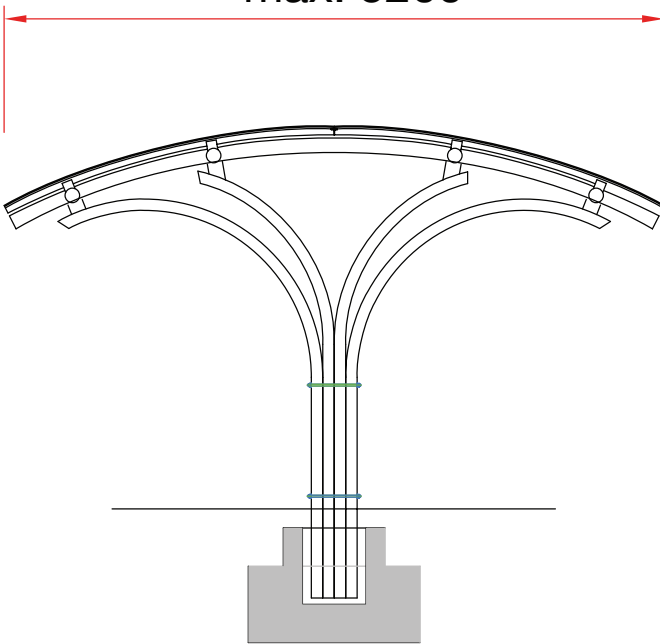


# Josta Pergola Shelter



max. 5000

max. 5200



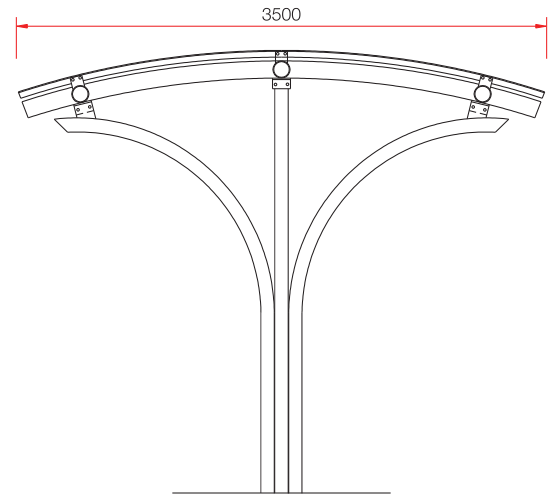
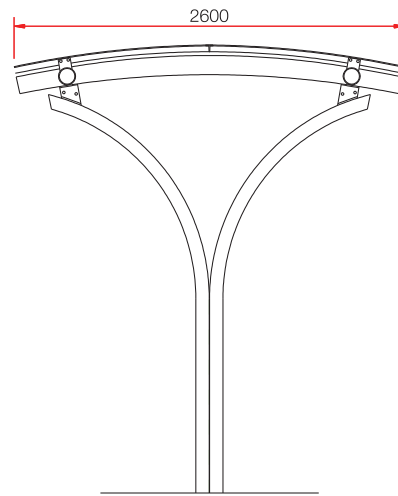
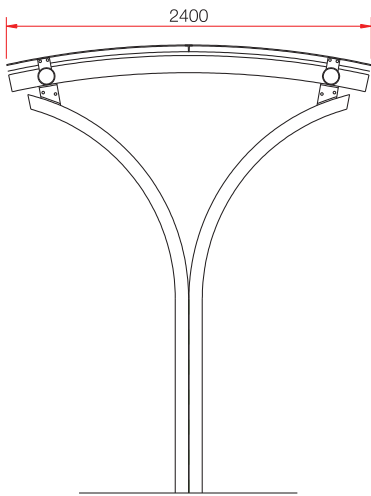
**Cycle-Works Ltd**

The Cycle Storage Specialists

cycle-works.com • 023 9281 5555



# Josta Pergola Shelter



## Size

One of the main benefits of the Pergola shelter is the flexible design, the length and height can be easily altered to fit your required area. If you have a large campus or site that requires many shelters in different orientations, the Pergola could be the only shelter you need to order.



## About Cycle-Works

Cycling is our passion. We believe that cycling is good for people, good for society and good for the environment. This belief underpins every-thing we do. We believe that the provision of quality facilities will in-crease the use and acceptance of the bicycle.

All our employees and associates cycle regularly in diverse disciplines such as commuting, touring and long distance audax rides. We are active in both local and national cycle campaigning.



## Cycle-Works Products

- Individual bicycle lockers
- High capacity 2-tier racks
- Open access and lockable shelters
- Wide range of individual racks
- Vertical and horizontal wall mounted racks
- Custom-made solutions

## Cycle-Works Services

- Initial site visits and advice on product selection
- Consultation on your construction plans
- Full delivery and installation services
- Aftercare and maintenance



Link-up ID: 26039

