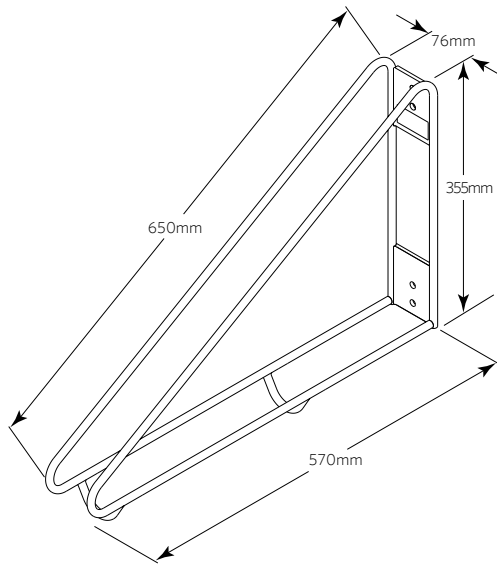




# Cycle-Works

## Cycle-Safe Wallrack



## Overview

Wallrack™ System holds one bike with built-in locking capability, a secure and economical solution for storing bikes. The Wallrack™ vertical storage system is space efficient, parking the bike against a wall which opens up floor space while allowing easy accessibility. The versatile Wallrack™ design is suitable for indoor or outdoor use, available in four polyester powdercoat finishes or stainless steel.

Wallrack™ supports the bikes' front wheel in a configuration that avoids damage, while allowing the use of a cyclists lock to secure the frame and wheel to the rack.

Simply roll the bike up to the Wallrack™ and place the front end of the bike and its front wheel within the rack. This easily allows the use of a variety of locks and ability to attach gear.

This is a unique product designed by Cycle-Safe in America, Cycle-Works are manufacturing these under licence.

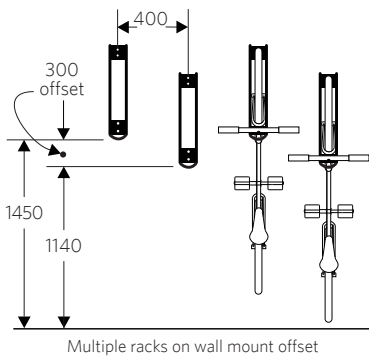
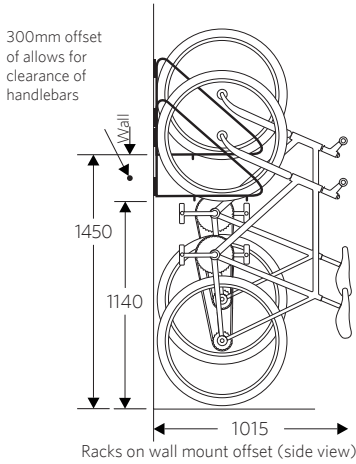
## Features & Benefits

- Heavy duty 10mm steel frame.
- Create additional space efficiency with 45° angle kit.
- Wallrack™ allows attachment of bicycle accessories.
- Protects the bike frame and finish.
- Allows clearance for pedestrian pathways or storage.
- Custom colours available upon request.
- Easy to install, simple to use.
- Durable polyester powdercoat finish in silver, black, red, blue, or stainless steel.





# Cycle-Safe Wallrack



## About Cycle-Works

Cycling is our passion. We believe that cycling is good for people, good for society and good for the environment. This belief underpins everything we do. We believe that the provision of quality facilities will increase the use and acceptance of the bicycle.

All our employees and associates cycle regularly in diverse disciplines such as commuting, touring and long distance audax rides. We are active in both local and national cycle campaigning.



## Cycle-Works Products

- Individual bicycle lockers
- High capacity 2-tier racks
- Open access and lockable shelters
- Wide range of individual racks
- Vertical and horizontal wall mounted racks
- Custom-made solutions

## Cycle-Works Services

- Initial site visits and advice on product selection
- Consultation on your construction plans
- Full delivery and installation services
- Aftercare and maintenance

