



Prison Mesh Fencing



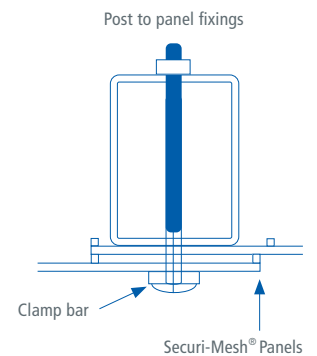
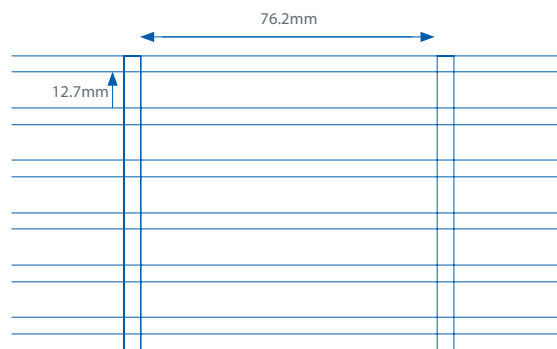
Overview

We carefully select the very best materials that are fit for purpose and designed to be tough. The prison mesh fencing that we use is engineered to keep intruders out at all costs. For this reason, it is widely used by the Ministry of Defense, airports, secure units and prisons.

Narrow apertures form the mesh making it almost impossible to climb, with no points for foot or hand holds. The panels are overlapped at each post and secured by a full length clamp strip, domed headed bolts and security fixings. The fine mesh construction is perfect for areas that are covered by CCTV as it doesn't give any blind spots.

Features & Benefits

- High security
- Vandal resistant
- Very difficult to climb
- Easily replaced
- Offers a strong visual deterrent
- Can be powder coated





Prison Mesh Fencing

POST OPTIONS

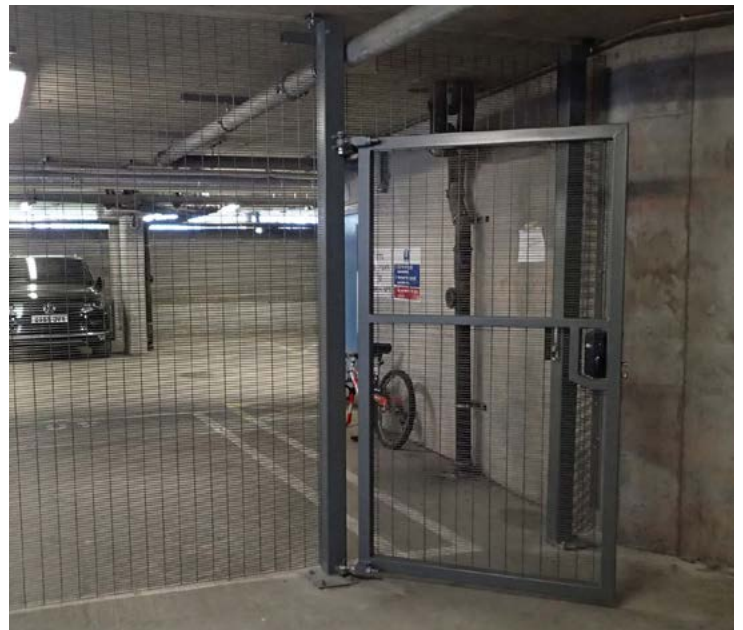
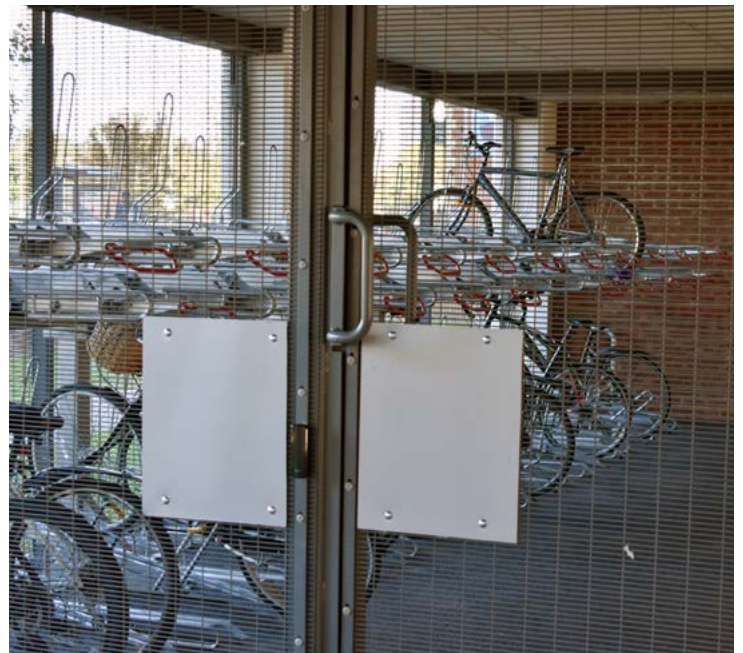
- Overlength set in concrete as standard
- Baseplated to bolt down onto concrete
- Cranked to suit wall mounting

FINISHES

- Panels are Galvan zinc alloy coated as standard
- Powder coated to BS EN 13438
- Marine coat for installations within 500m of salt water or an estuary

STANDARD COLOURS

- Black RAL 9005
- Green RAL 6005
- Other colours are available on request





cycle-works

The Cycle Storage Specialists

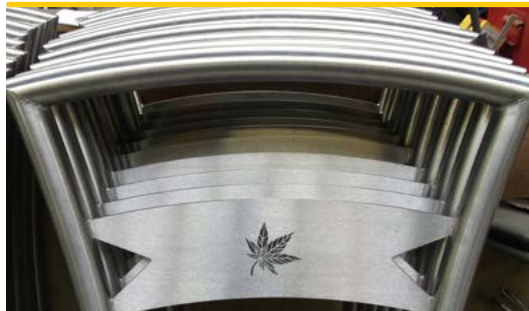
Prison Mesh Fencing



About Cycle-Works

Cycling is our passion. We believe that cycling is good for people, good for society and good for the environment. This belief underpins everything we do. We believe that the provision of quality facilities will increase the use and acceptance of the bicycle.

All our employees and associates cycle regularly in diverse disciplines such as commuting, touring and long distance audax rides. We are active in both local and national cycle campaigning.



Our Products

- Individual bicycle lockers
- High capacity 2-tier racks
- Open access and lockable shelters
- Wide range of individual racks
- Vertical and horizontal racks



Our Services

- Initial site visits
- Advice on product selection
- Consultation on your plans
- Full delivery and installation
- Aftercare and maintenance



cycle-works

The Cycle Storage Specialists
cycle-works.com • 02392 815 555