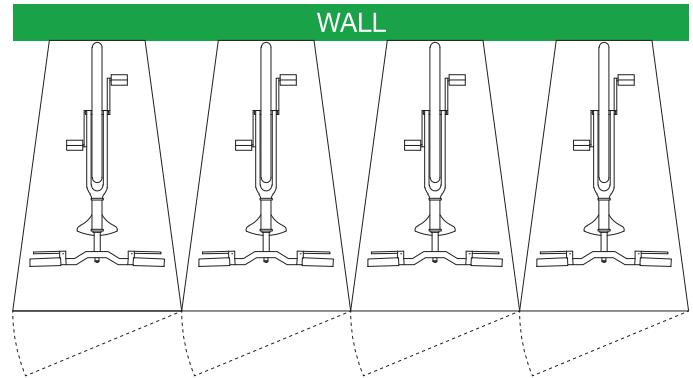


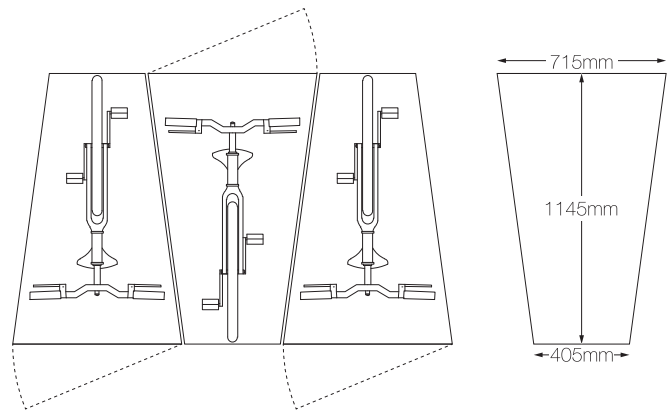


# Cycle-Works

## BikeAway Single Locker



You can place a row of **BikeAways** against a wall (see above) or squeeze them into the smallest possible space by placing them nose-to-tail (see below)



Ever since the revolutionary **BikeAway** was unveiled by Plymouth inventor Jason Hamlyn, cyclists have been crying out for a version they could use at home or at work and install by themselves.

The original **BikeAway** was not available singly and required specialist installation, but Jason has developed a modular unit that has most of its virtues but can be installed by a do-it-yourselfer. To save even more space, the new **BikeAway** is narrower at the back than at the front. This means that if you want to install them in a row, perhaps outside a block of flats, you can save even more room by alternating them back to front (see diagram).

They take up the tiniest of footprints, so you can install them in a back yard, a small garden, or under a stairwell for instance – and wherever you put yours, it will keep your bike clean, dry, and out of the reach of vandals and incontinent birds. You can store your bike in seconds, and the clever design means it won't harm your bike in any way. Plus there's room to hang your helmet and cycle gear. And no more soggy saddles!

...a **BikeAway** for your home or workplace!

