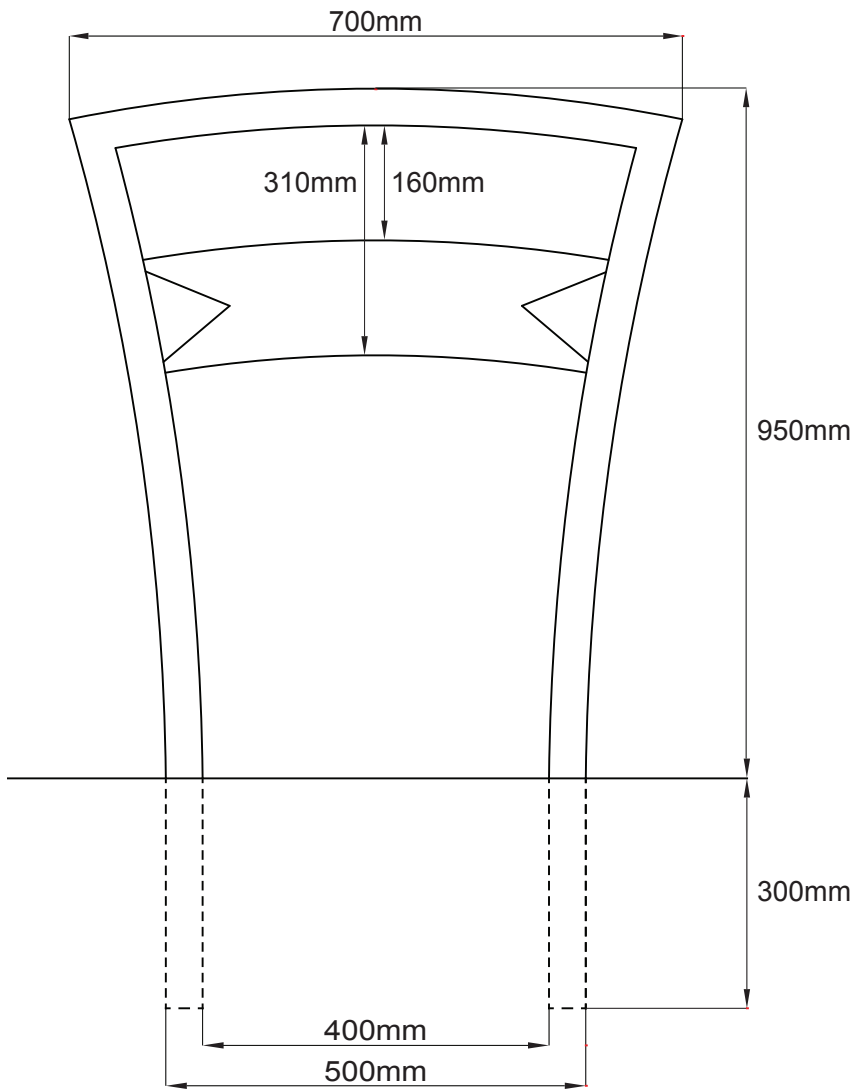




## Cycle-Works Lock2Me Rack



### Height

- 950mm at highest point
- 910mm at lowest point
- For embedded racks add 300mm below the ground



- Made from 316 stainless steel.
- Tubing outside diameter 50mm.
- Racks can be embedded into concrete to a depth of 300mm.
- Surface mounted racks are bolted to good quality concrete with 100mm x m10 or m12 bolts, with 4 bolts to each leg.
- Toast racks are supplied welded to rails in multiples of 2, 3 or 4 hoops and are bolted to the ground through the rails with 110mm x m12 bolts.

